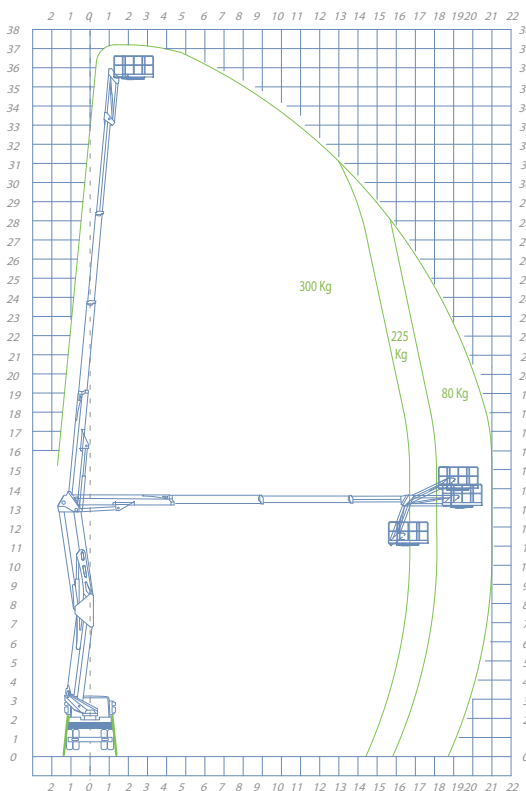




WORKING DIAGRAM

STANDARD ACCESSORIES



-  **OUTRIGGERS**
Extensible H+H
-  **WORKING HEIGHT**
37,3 mt
-  **BASKET HEIGHT**
35,3 mt
-  **MAX OUTREACH**
21 mt
-  **BASKET LOAD CAPACITY**
300 kg
-  **BASKET SIZE**
2000 x 800 x 1100 mm
-  **CONTROLS**
Electric
-  **TURRET ROTATION**
700°
-  **GVW**
18 ton

[a] AUTOMATIC STABILIZATION

The “**SPEED**” function is a new solution present in Socaage’s Aerial Working Platforms on Chassis. It brings great advantages including increasing safety and facilitating the correct use of the necessary stabilization maneuver to start working.

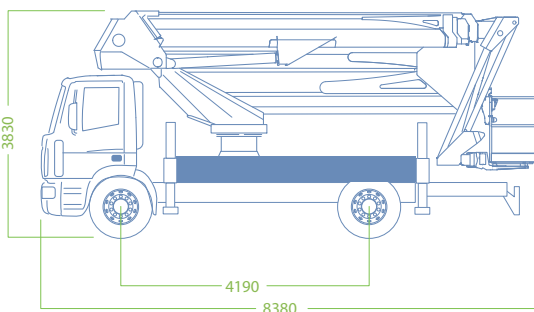
With a single button, even from the basket, it allows to obtain stabilization in a safe, simple and fast way, quickly overcoming the irregularities of the ground.

DATA SHEET

- Aluminum basket: dimensions 2000 x 800 x 1100 mm
- Hydraulic rotation basket 90° + 90°
- Rotation turret 700°
- Articulated final jib
- SPEED automatic stabilization
- Vertical stabilizers H + H with extra stroke
- Double or triple work area depending on the installation
- Automatic stabilization controls from the basket and from the ground
- Proportional electro-hydraulic controls with speed regulation of all movements
- CAN BUS electronic management system
- Engine start / stop control from the basket
- Heat exchanger
- Digital hour counter
- 4 plates to stand to the ground
- Socket 230v
- Magnetic roto-lamp on the vehicle cabin
- Powder coated cataphoresis treatment
- Tool trunk
- Under-run
- 150 mm aluminum sides

SAFETY DATA

- Emergency and stop button
- Cross check of open stabilizers
- Multi axial device for visual control of frame stabilization
- Intelligent cabin anti-collision sensor
- Load limiter in the basket
- Moment limiting device with double security
- Emergency manual pump
- Chassis flatness sensor
- Flanged block valves
- Differentiated filtering hydraulic system with high efficiency filters both on the delivery lines and on the return lines
- Automatic leveling of the basket
- PTO automatic cut-off
- Warning horn from the basket





SOCAGE, AERIAL PLATFORM CONSTRUCTOR ALL OVER THE WORLD



Socage, based in Modena, Italy, produces and sells truck mounted Aerial Working Platforms all over the world. With more than 40 years of experience, Socage is among the top experienced companies in the field.

Our products are of high quality and technologically advanced. Most notably, we stand out in the market for our reliability, ease of use, and performance.



forSteel



MY SOCAGE

From your smartphone, tablet or pc via My Socage you can:

- Connect your platforms to Socage's software
- Find spare parts quickly and easily
- Request remote diagnosis via Socage Connect
- Manage the working hours of your platforms

My Socage connects your platforms with what matters the most to you.

Welcome to Socage Universe

