



STANDARD ACCESSORIES

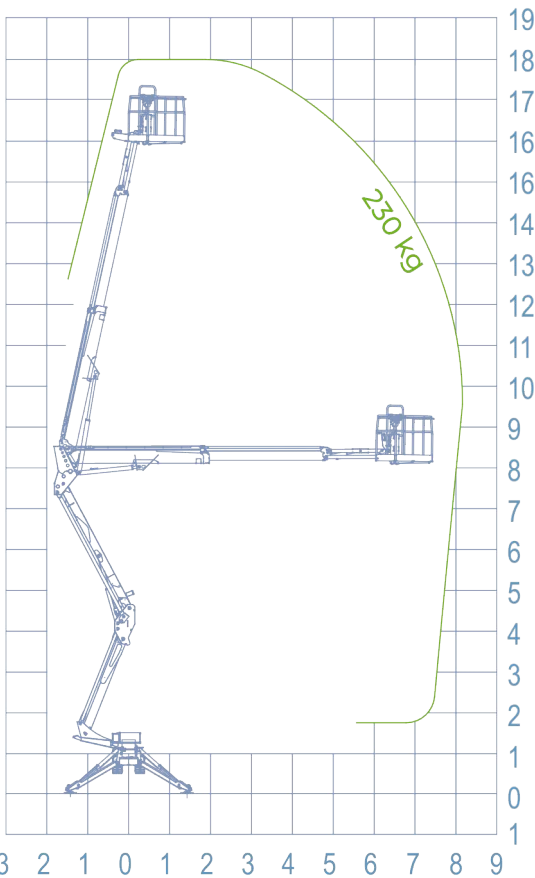
DATA SHEET

- Undercarriage hydraulically expandable
- White non marking tracks
- Electric hour-counter
- Manual hand pump
- 230V electric socket in the basket
- Multifunction remote control
- Auxiliary electric pump 230V-50Hz
- Flanged holding valves
- Diesel engine
- **Automatic closing**
- **Automatic stabilization**
- Outrigger plates

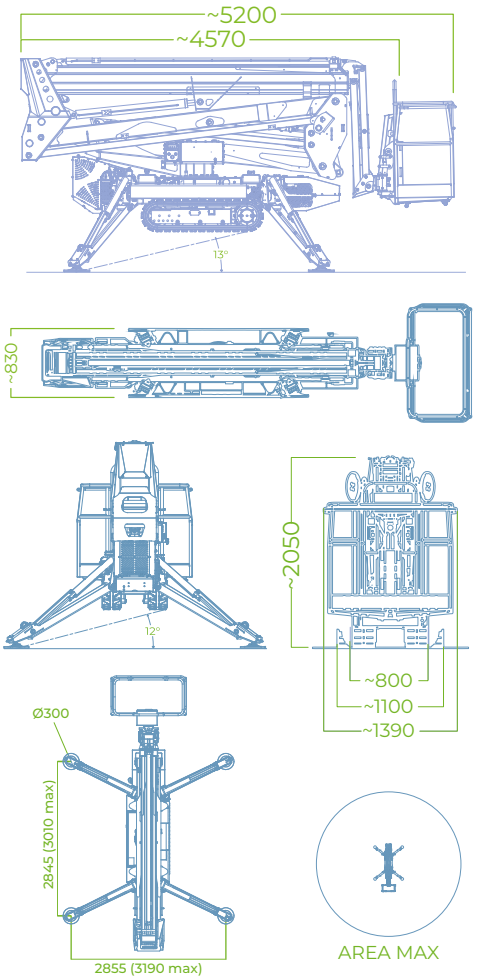
WORKING DIAGRAM

INFO

SIZE



- OUTRIGGERS**
Z+Z
- WORKING HEIGHT**
18,00 m
- BASKET HEIGHT**
16,00 m
- MAX OUTREACH**
8,20 m
- BASKET LOAD CAPACITY**
230 kg
- BASKET SIZE**
1400 X 700 X 1100 mm
- CONTROLS**
Electro-Hydraulic
- TURRET ROTATION**
380°
- GVW**
2,5 ton
- SIZE**
2845 x 2855 mm
3010 x 3190 mm
- BASKET ROTATION**
60° + 60°
- LIFTING HOOK**
230 kg



* lateral outreach and working height may vary by ± 5% depending on variations in manufacture or working conditions